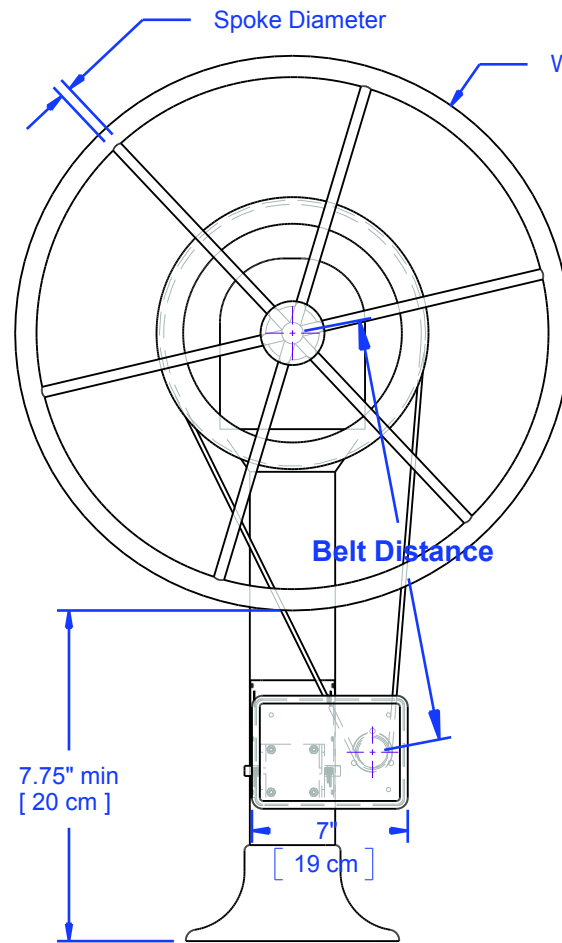
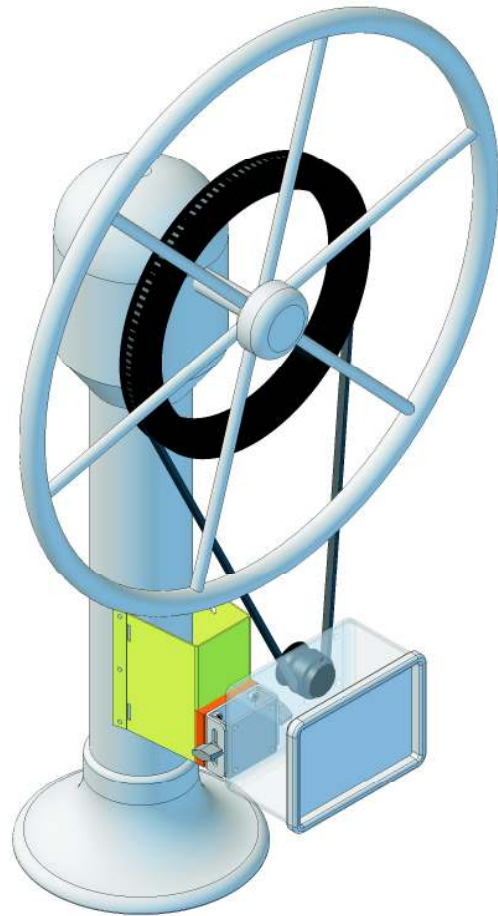


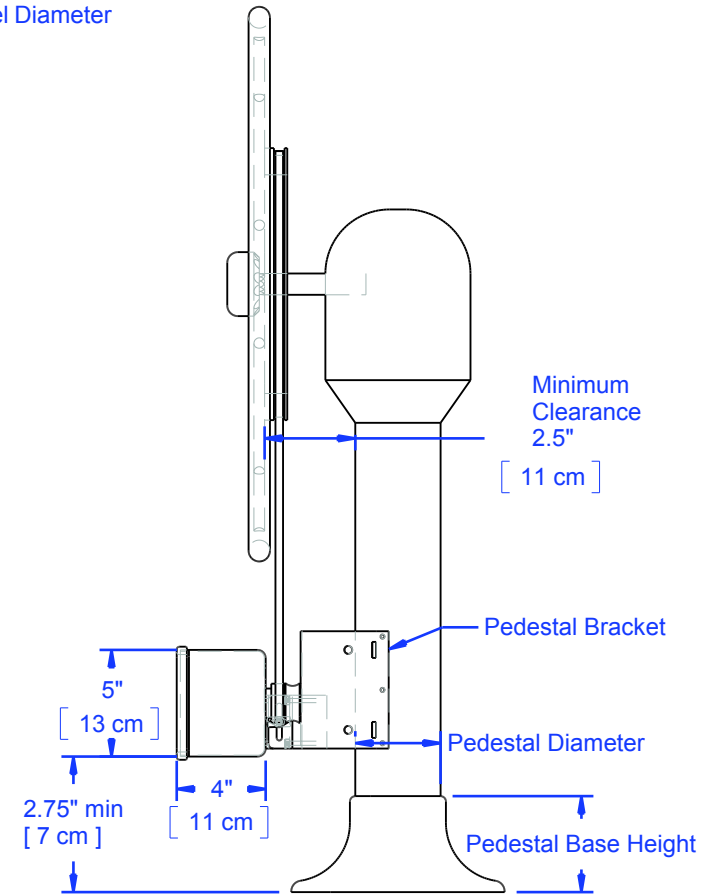
Motor Box Mounting Diagram

Pedestal, Round Stem

Horizontal Motor Box, Faces Aft



Minimum clearance
bottom of wheel to deck



Minimum clearance
bottom of drive box to deck